

QPD4-10900-12700

4-Way, 10.9~12.7GHz

Features:
 * Small Size
 * Low Insertion Loss

Applications:
 * Amplifiers
 * Mixers
 * Antennas
 * Laboratory Test

Electrical

Frequency:	10.9~12.7GHz
Insertion Loss:	1.0dB max.
Input VSWR:	1.4 max.
Output VSWR:	1.3 max.
Isolation:	18dB min.
Amplitude Balance:	0.4dB max.
Phase Balance:	±5°
Impedance:	50Ω
Average Power:	20W max. 1W max. as combiner

Mechanical

Mounting:	4-Φ2.8mm through-hole (SMA)
Mounting:	4-Φ3.2mm through-hole (N)

Environmental

Operation Temperature:	-45~+85°C
------------------------	-----------

How To Order

QPD4-10900-12700-X-Y

X: Average power as divider

Y: Connector type

Connector naming rules:

S - SMA Female (Outline A)

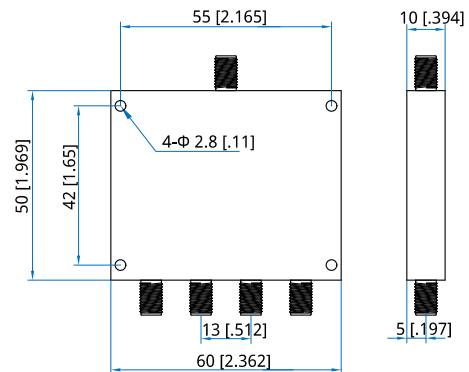
N - N Female (Outline B)

Examples:

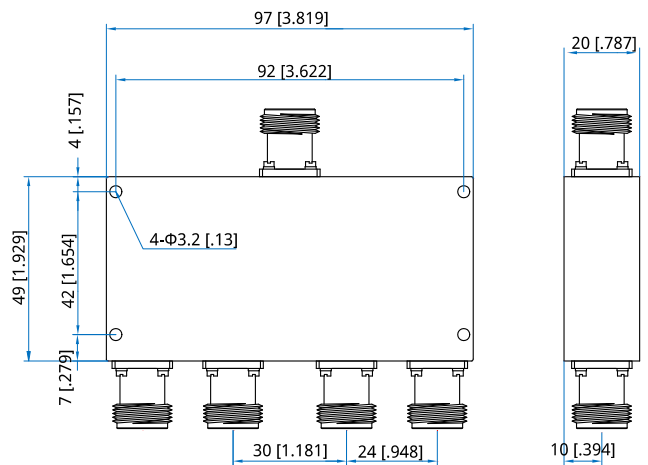
To order a 4-way power divider, 10.9~12.7GHz, 20W, N female, specify QPD4-10900-12700-20-N.

Customization is available upon request.

Outline Drawings



Outline A



Outline B

Unit: mm [in]
 Tolerance: ±0.5mm [±0.02in]